

Connector code 10349...

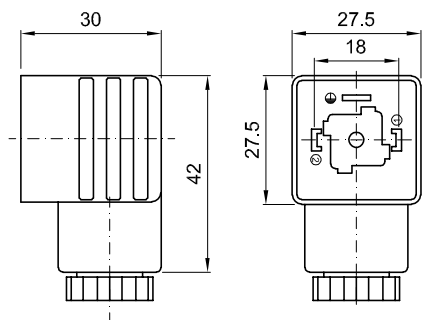
DIN 43650 Form A connector

Contact distance: 18mm
 Protection class: IP65
 Working temperature: -40°C +90°C
 Fixing method: M3 central screw
 Gland size: PG9 cable Ø6-8mm
 code 10349000 (n°2 poles+earth)

PG11 cable Ø8-10mm
 code 10349001 (n°2 poles+earth)

On request: PG9 cable Ø6-8mm
 code 10349060 (n°3 poles+earth)

Weight 0.023Kg

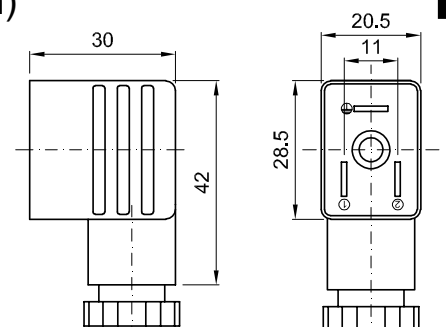


Connector code 10348...

DIN 46244 Form B (DIN 43650 Form B) connector

Contact distance: 11mm
 Protection class: IP65
 Working temperature: -40°C +90°C
 Fixing method: M3 central screw
 Gland size: PG9 cable Ø6-8mm
 code 10348000 (n°3 poles+earth)

Weight 0.019Kg

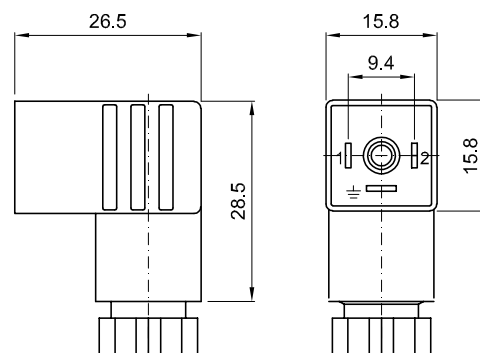


Connector code 10348040

AMP 2.8x0.5 connector

Contact distance: 9.4mm
Protection class: IP65
Working temperature: -40°C +90°C
Fixing method: M3 central screw
Gland size: PG7 cable Ø4-6mm
(n°2 poles+earth)

Weight 0.010Kg

**Connector code 10348060**

DIN 43650 Form C connector

Contact distance: 8mm
Protection class: IP65
Working temperature: -40°C +90°C
Fixing method: M2.5 central screw
Gland size: PG7 cable Ø4-6mm
(n°2 poles+earth)

Weight 0.010Kg

