

Connector code 10349...

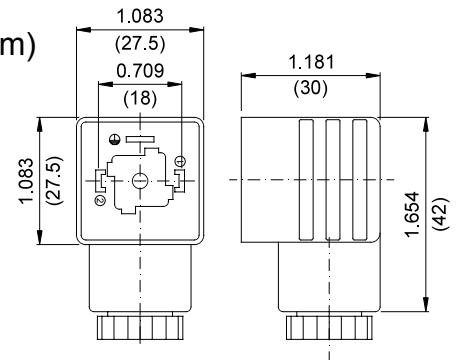
DIN 43650 Form A connector

Contact distance: 0.709in (18mm)
 Protection class: IP65
 Working temperature: -40°F +212°F
 Fixing method: M3 central screw
 Gland size: PG9 cable Ø0.236-0.315in (Ø6-8mm)
 code 10349000 (n°2 poles+earth)

PG11 cable Ø0.315-Ø0.394in (Ø8-10mm)
 code 10349001 (n°2 poles+earth)

On request: PG9 cable Ø0.236-0.315in (Ø6-8mm)
 code 10349060 (n°3 poles+earth)

Weight 0.05lb (0.023Kg)



Connector code 10348...

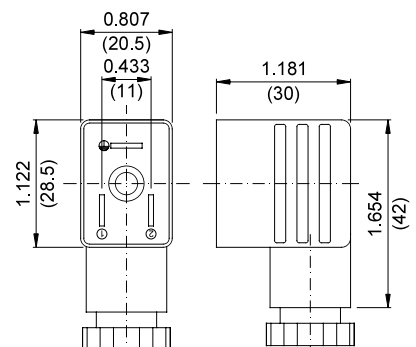
DIN 46244 Form B (DIN 43650 Form B) connector

Contact distance: 0.433in (11mm)
 Protection class: IP65
 Working temperature: -40°F +212°F
 Fixing method: M3 central screw
 Gland size: PG9 cable Ø0.236-0.315in (Ø6-8mm)
 code 10348000 (n°3 poles+earth)

Weight 0.042lb (0.019Kg)



7

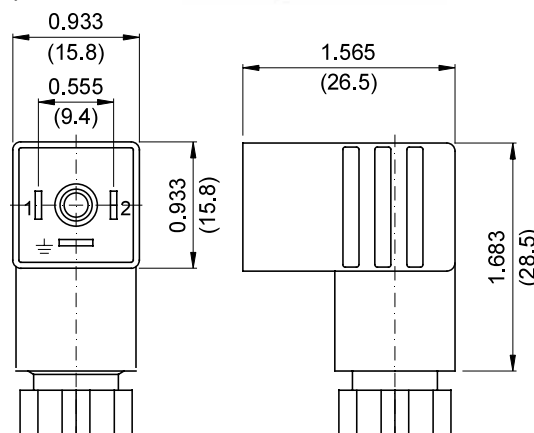


Connector code 10348040

AMP 2.8x0.5 connector

Contact distance: 0.555in (9.4mm)
 Protection class: IP65
 Working temperature: -40°F +212°F
 Fixing method: M3 central screw
 Gland size: PG7 cable Ø0.157-0.236in (Ø4-6mm)
 (n°2 poles+earth)

Weight 0.022lb (0.010Kg)



Connector code 10348060

DIN 43650 Form C connector

Contact distance: 0.472in (8mm)
 Protection class: IP65
 Working temperature: -40°F +212°F
 Fixing method: M2.5 central screw
 Gland size: PG7 cable Ø0.157-0.236in (Ø4-6mm)
 (n°2 poles+earth)

Weight 0.022lb (0.010Kg)

