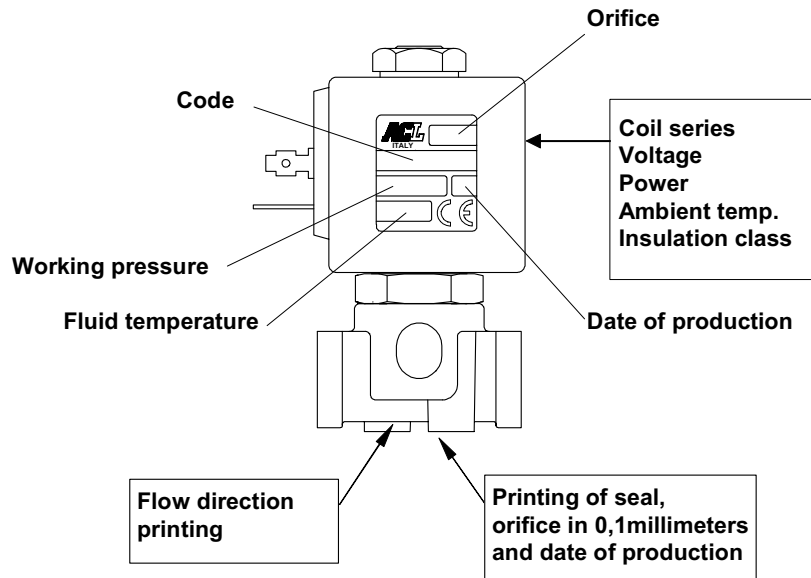


1.13 Model identification

Solenoid valves are identified as follow :

1.13.1 DIRECT ACTING



1.13.2 SERVO-ASSISTED

