

DESCRIPTION

Solenoid valve 3 way
direct acting poppet type

CONSTRUCTION

Body Acetal copolymer
Internal parts Acetal copolymer - Stainless steel
Seal material NBR



FEATURES

Fixing method: M2.5 screws
max torque 0,5Nm

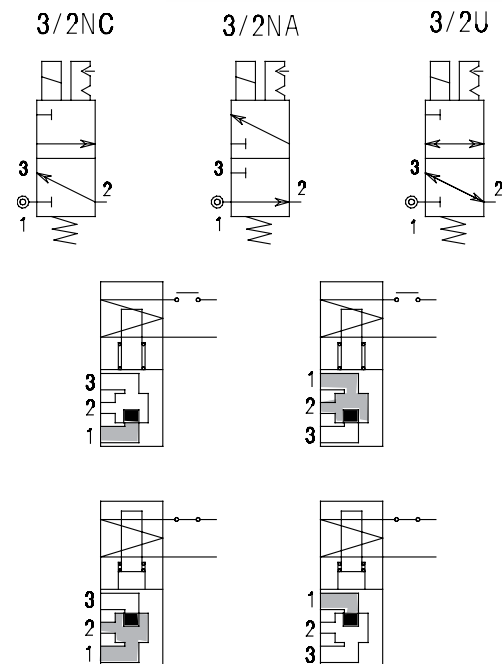
Universal mounting position

Fluid temperature: +50°C max
Ambient temperature: -15°C +50°C
Fluid: Air, neutral gases
Response time: 10-15ms
Manual override: Enclosed bi-stable function

ELECTRICAL OPERATING FEATURES

Duty cycle: ED100%
Insulation class: F (+155°C)
Voltage tolerance: ±10%
Protection class: Cables IP65
Fast-on IP00, with connector fitted IP65

Electrical connection: Cables (L=300mm)
AMP 2.8x0.5
DIN 43650C



3

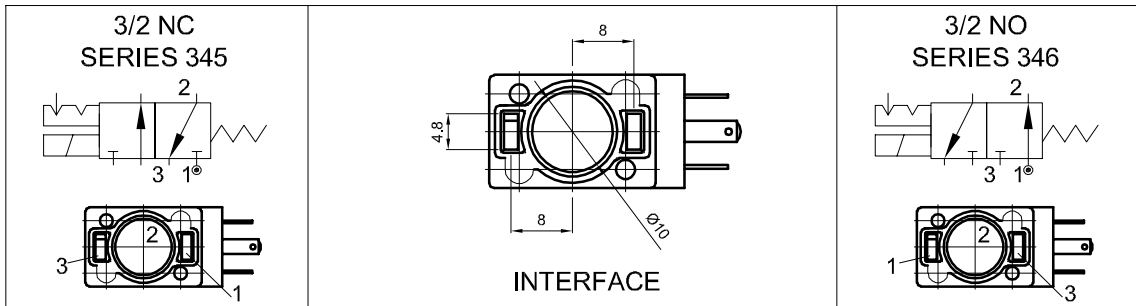
Connection	Orifice mm		Nominal rate NI/1' ΔP=1bar	Differential pressure bar		Nominal power			CODE	
	1→2	2→3		Min	Max	AC Inrush	VA Holding	DC Watt	Alternating current	Direct current
NC Normally closed										
Flange	0.8	0.9	23	0	10	-	-	1.5	E345XB08	D345XB08
	1.2	1.3	29	0	10	3.6	2.5	2.5	E345XB12	D345XB12
	1.5	1.6	43	0	6	3.6	2.5	2.5	E345XB15	D345XB15
NO Normally open										
Flange	1	1.2	26	0	8	3.6	2.5	2.5	E346XB10	D346XB10
	1	1.2	26	0	8	3.6	2.5	2.5	E346XB10	D346XB10
U Universal										
Flange	1.5	1.6	43	0	2.5	3.6	2.5	2.5	E347XB15	D347XB15

COIL CODE

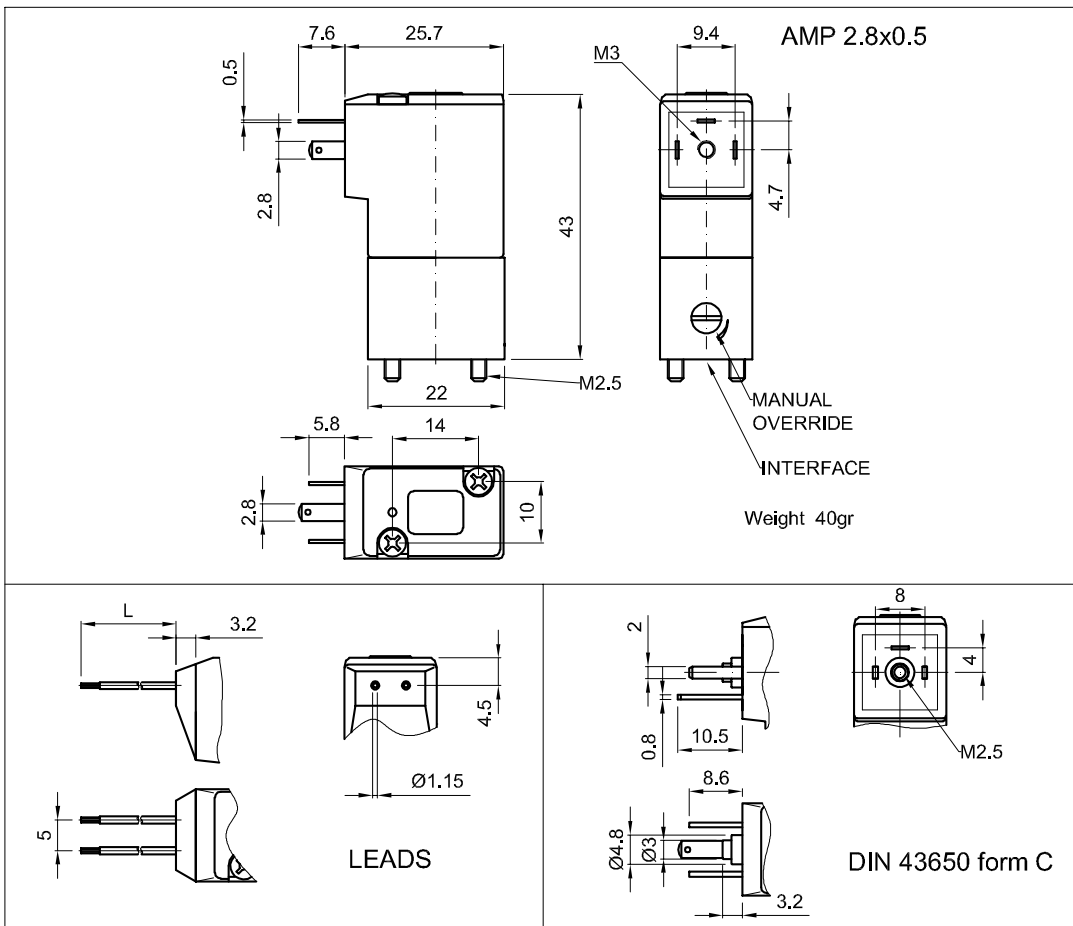
VOLTAGE	AMP 2.8x0.5			DIN 43650 form C			CABLE		
	50/60Hz	1.5W DC	2.5W DC	50/60Hz	1.5W DC	2.5W DC	50/60Hz	1.5W DC	2.5W DC
12	-	106970	106950	-	109020	109040	-	107010	106990
24	107030	106980	106960	108990	109030	109050	107040	107020	107000
110	107060	-	-	109000	-	-	-	-	-
220/230	107050	-	-	109010	-	-	-	-	-

P.S. 1,5W power available on Ø0.8 orifice only.

CONNECTIONS



OVERALL DIMENSION



TYPE NUMBER COMPOSITION

