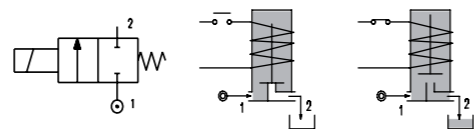
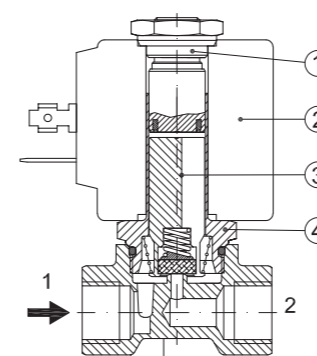


SERIES 106

Solenoid Valve 2-way Normally Closed direct acting poppet type.

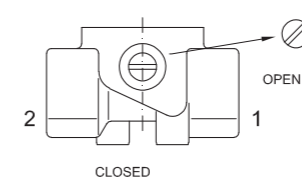


SPARE PARTS LIST

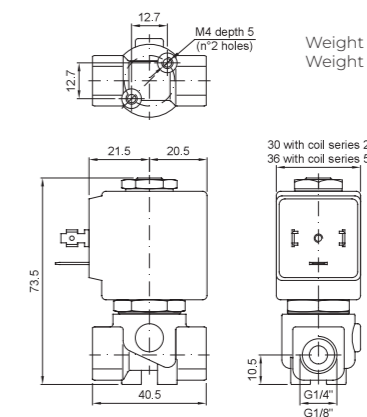


1. Coil fixing nut
2. Coil
3. Plunger
4. Armature tube assembly

MANUAL OVERRIDE



OVERALL DIMENSION



Weight with coil series 2=0.36Kg
Weight with coil series 5=0.44Kg



CONSTRUCTION

BODY	Brass
ARMATURE TUBE	AISI 303
PLUNGER AND CORE	AISI 430FR
SPRINGS	AISI 302
SEAL MATERIAL	NBR - FPM - EPDM - PTFE

FEATURES

- Maximum allowable pressure PS 100bar^④
- Maximum fluid viscosity 25cSt (mm²/s)
- Ambient temperature: from -10°C to +80°C according to the coil
- Universal mounting position

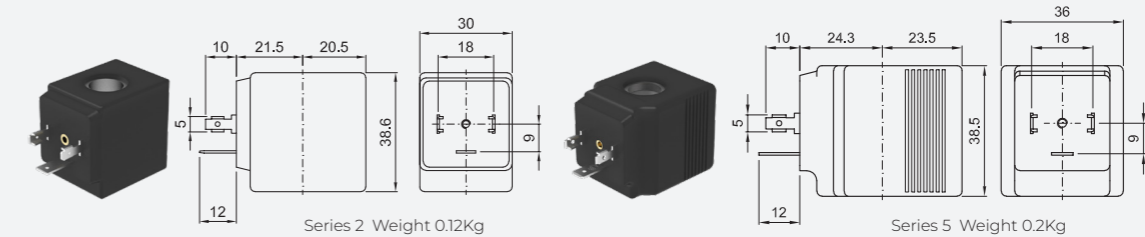
CODE ①②③	CONNECTION G ISO 228	ORIFICE [mm]	KV m ³ /h	DIFFERENTIAL PRESSURE [bar]		NOMINAL POWER			COIL		SEAL ②	TEMP. RANGE [°C]
				MIN.	MAX.	AC	VA	DC	SERIES	WIDTH		
E106...10///...	1/8"	1	0.04	0	80	80	20	15	10	2	30	
E106...12///...		1.2	0.05	0	60	60						
E106...15///...		1.5	0.07	0	30	26						
E106...20///...		2	0.1	0	22	20						
E106...25///...		2.5	0.15	0	16	14						
E106...30///...		3	0.25	0	15	10						
E106...35///...		3.5	0.32	0	10	8						
E106...40///...		4	0.36	0	8	5						
E106...45///...	4.5	0.41	0	6.5	3.5							
E106...52///...	1/4"	5.2	0.47	0	4	1.8				NBR=B	-10 +90	
E106...64///...		6.4	0.64	0	3	1				EPDM=E	-10 +140	
E106...10///...	1/8"	1	0.04	0	100	100	40	30	27	5	36	
E106...12///...		1.2	0.05	0	100	100						
E106...15///...		1.5	0.07	0	80	80						
E106...20///...		2	0.1	0	50	40						
E106...25///...		2.5	0.15	0	35	33						
E106...30///...		3	0.25	0	25	24						
E106...35///...		3.5	0.32	0	20	19						
E106...40///...		4	0.36	0	16	15						
E106...45///...	4.5	0.41	0	14	13							
E106...52///...	1/4"	5.2	0.47	0	10	9				FPM=V	-10 +140	
E106...64///...		6.4	0.64	0	5	4.5				PTFE=W	-10 +180	

OPTIONS

- Stainless steel armature tube
- Electroless nickel plating
- Series 7 explosion proof coil according to ATEX - EExmII
- Manual override
- Versions for use with industrial oxygen certified coils

ON REQUEST: Versions for use with fluid temperature at -40°C

COILS ③	ALTERNATING CURRENT 50/60Hz (V)								DIRECT CURRENT (V)			ELECTRICAL CONNECTION	CONNECTORS				
	12	24	48	110	120	220 230	240	380	12	24	48						
Series 2 Width 30	20A	20B	U25B 	20C	20D	U25D 	20E	20F	U25F 	20G	200	U250 	201	U251 	202	DIN 43650A	PG9 CODE 10349000
Series 5 Width 36	52A	52B	U55B 	52C	52D	U55D 	52E	52F	U55F 	52G	520	U550 	521	U551 	522	DIN 43650A	PG9 CODE 10349001



DESCRIPTION

- Insulation class
- Series 2 =F Series 5=H
- Voltage tolerance
- AC +15% -10%
- DC ± 10%
- Protection class
- IP65 with connector fitted
- IP00 without connector

OPTIONS

- Class H insulation (series 2)
- Cable attached
- Special coil voltage
- Special coil powers
- certified coils
- (for coil details see section 8)

① Connection: A=1/8", B=1/4"
 ② Seal
 ③ Coil
 ④ Maximum allowable leakage <0.2Nl/h
 ⑤ The maximum allowable pressure PS for steam is 9bar (gauge pressure) with PTFE seals and 2.5bar with EPDM seals

Example: E106BB25///20E NBR seal
Coil 230V 50/60Hz