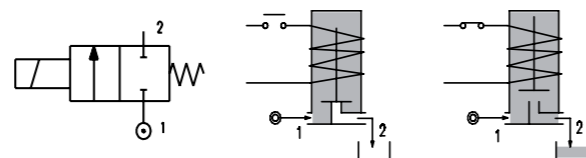
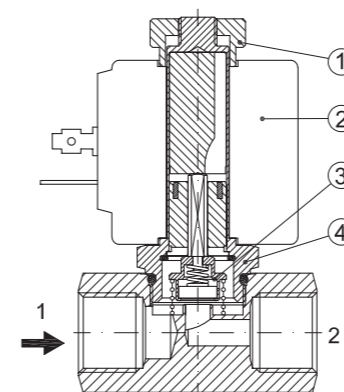


# SERIES 210

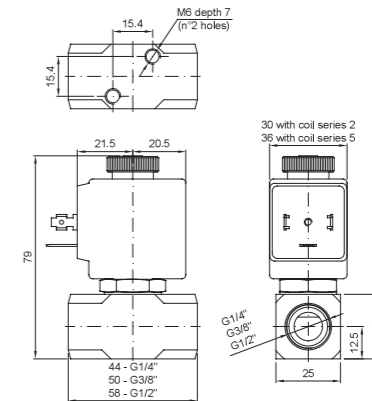
Solenoid valve 2 way normally open direct acting poppet type



## SPARE PARTS LIST



## OVERALL DIMENSION



### CONSTRUCTION

<b>BODY</b>	AISI 303
<b>ARMATURE TUBE</b>	AISI 303
<b>PLUNGER AND CORE</b>	AISI 430FR
<b>SPRINGS</b>	AISI 302
<b>SEAL MATERIAL</b>	NBR - FPM - EPDM

### FEATURES

Maximum allowable pressure PS 50bar <sup>ⓐ</sup>
Maximum fluid viscosity 25cSt (mm <sup>2</sup> /s)
Ambient temperature: from -10°C to +80°C according to the coil
Universal mounting position

**ON REQUEST:** Versions for use with fluid temperature at -40°C  
Manual override

CODE ①②③	CONNECTION G ISO 228	ORIFICE [mm]	KV m <sup>3</sup> /h	DIFFERENTIAL PRESSURE [bar]		NOMINAL POWER			COIL		SEAL ②	TEMP. RANGE [°C]
				MIN.	MAX.	AC INRUSH	VA HOLDING	DC WATT	SERIES	WIDTH		
E210...10///...	1/4"	1	0.04	0	80	-					NBR=B	-10 +90
E210...15///...		1.5	0.07	0	23	-						
E210...20///...		2	0.1	0	17	-						
E210...25///...		2.5	0.15	0	12	-						
E210...30///...		3	0.25	0	9	-	20	15	-	2		
E210...35///...	3/8"	3.5	0.32	0	7	-					EPDM=E	-10 +140
E210...40///...		4	0.36	0	5.5	-						
E210...45///...	1/2"	4.5	0.41	0	4.5	-					FPM=V	-10 +140
E210...52///...		5.2	0.47	0	3	-						
D210...10///...	1/4"	1	0.04	0	-	80					EPDM=E	-10 +140
D210...15///...		1.5	0.07	0	-	18						
D210...20///...		2	0.1	0	-	11						
D210...25///...		2.5	0.15	0	-	7						
D210...30/3/...		3	0.25	0	-	6.5	-	-	10	2		
D210...35/3/...	3/8"	3.5	0.32	0	-	4					FPM=V	-10 +140
D210...40/3/...		4	0.36	0	-	3.5						
D210...45/3/...	1/2"	4.5	0.41	0	-	3					FPM=V	-10 +140
D210...52/3/...		5.2	0.47	0	-	2.2						

① Connection: B=1/4", C=3/8", D=1/2"  
② Seal  
③ Coil  
④ The maximum allowable pressure PS for steam is 2.5bar (gauge pressure)

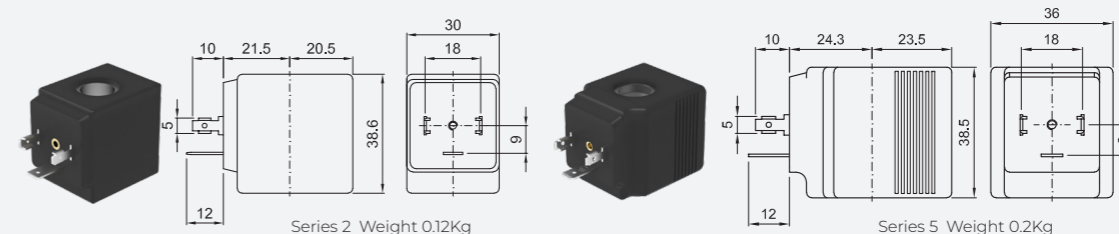
Example: E210BB25///20B 1/4" connection, NBR seal  
Coil 24V 50/60Hz

Code	Orifice	Flow (m <sup>3</sup> /h)	Pressure (bar)	Power (W)	Power (VA)	Power (DC)	Series	Width	Seal	Temp. Range (°C)				
E210...10///...	1	0.04	0	80	80									
E210...15///...	1.5	0.07	0	23	23									
E210...20///...	2	0.1	0	17	17									
E210...25///...	2.5	0.15	0	12	12				NBR=B	-10 +90				
E210...30///...	3	0.25	0	9	9			40	30	27	5	36	EPDM=E	-10 +140
E210...35///...	3.5	0.32	0	7	7								FPM=V	-10 +140
E210...40///...	4	0.36	0	5.5	5.5									
E210...45///...	4.5	0.41	0	4.5	4.5									
E210...52///...	5.2	0.47	0	3	3									
E210...64///...	6.4	0.64	0	3.5	3.5									

### OPTIONS

- Silver shading ring
- Versions for use with industrial oxygen
- UL certified coils

COILS ③	ALTERNATING CURRENT 50/60Hz (V)								DIRECT CURRENT (V)			ELECTRICAL CONNECTION	CONNECTORS				
	12	24	48	110	120	220/230	240	380	12	24	48						
Series 2 Width 30	20A	20B	U25B	20C	20D	U25D	20E	20F	U25F	20G	200	U250	201	U251	202	DIN 43650A	PG9 CODE 10349000
Series 5 Width 36	52A	52B	U55B	52C	52D	U55D	52E	52F	U55F	52G	520	U550	521	U551	522	DIN 43650A	PG9 CODE 10349001



### DESCRIPTION

Insulation class  
Series 2 =F Series 5=H  
Voltage tolerance  
AC +15% -10%  
DC ± 10%  
Protection class  
IP65 with connector fitted  
IP00 without connector

### OPTIONS

Class H insulation (series 2)  
Cable attached  
Special coil voltage  
Special coil powers  
UL certified coils  
(for coil details see section 8)